

# 30 litres storage water heater S30 Smart



## Application areas

Single or multiple point supply:

- > Shower
- > Shower and washbasin




# 30 litres storage water heater

## S 30 Smart

### Product information



Energy efficiency class **B** (Scale: A+ to F) **S 30 Smart**

Part number:	4100-41030
Content [litres]:	29,1
Type; maximum operating pressure [MPa (bar)]:	unvented; 0.6 (6)
Water connections (thread connections):	G ½"
Temperature range [°C]:	10 – 75
approx. mixed water amount 40 °C <sup>1)</sup> [litres]:	54
Nominal power rating (kW):	2.0
Power supply [V]:	1~ / N / PE 230 V AC
Heating time $\Delta t = 45 K$ <sup>2)</sup> [min]:	50
Annual electricity consumption [kWh]:	496
Weekly electricity consumption with intelligent control [kWh]:	13,05
Weekly electricity consumption without intelligent control [kWh]:	16,22
Internal tank:	Steel with special-enamelling
Function indicator:	✓
Single circuit operation:	✓
Protection class:	IP 24
Dimensions (height × width × depth) [cm]:	51,0 × 42,0 × 44,5
Power cable:	 with plug
approx. weight filled with water [kg]:	49

1) At a cold water temperature of 15 °C and a storage content temperature of 60 °C 2) Temperature increase e.g. from 15 °C to 60 °C

#### Description

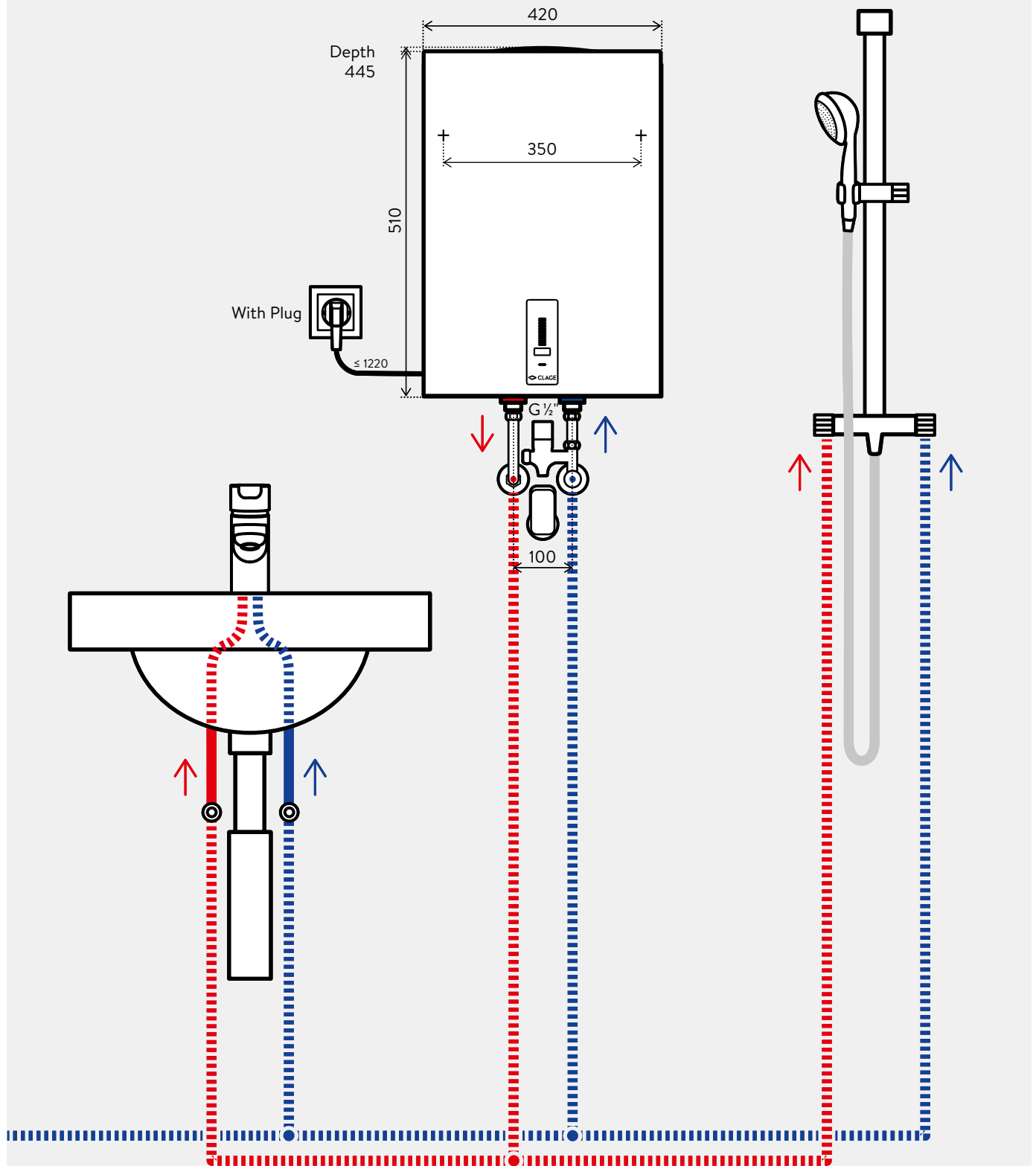
- > Unvented 30 litre storage water heater for hot water supply at one or multiple points-of-use
- > Special-enamelled internal tank
- > With programmable smart function for adapting the heating power to the user's behaviour
- > More hygiene due to automatic anti-legionella function
- > Thermostat with overheating protection
- > Temperature selection in seven steps from 10 °C to a maximum of 75 °C
- > Corrosion protection by special enamelling and magnesium protective anode
- > PU hard foam insulation

# 30 litres storage water heater S30 Smart Installation



Assembly and operating instructions must be observed upon installation.

Dimensions in mm



30 litres storage water heater  
**S30 Smart**  
Accessories

---



**SG** (optional)

Oversink safety assembly (6 bar) for closed outlet installation

**SG:** Part no. 4100-0011



**SGM** (optional)

Oversink safety assembly (6 bar) for closed outlet installation  
with pressure-reducing valve up to 10 bar

**SGM:** Part no. 4100-0012